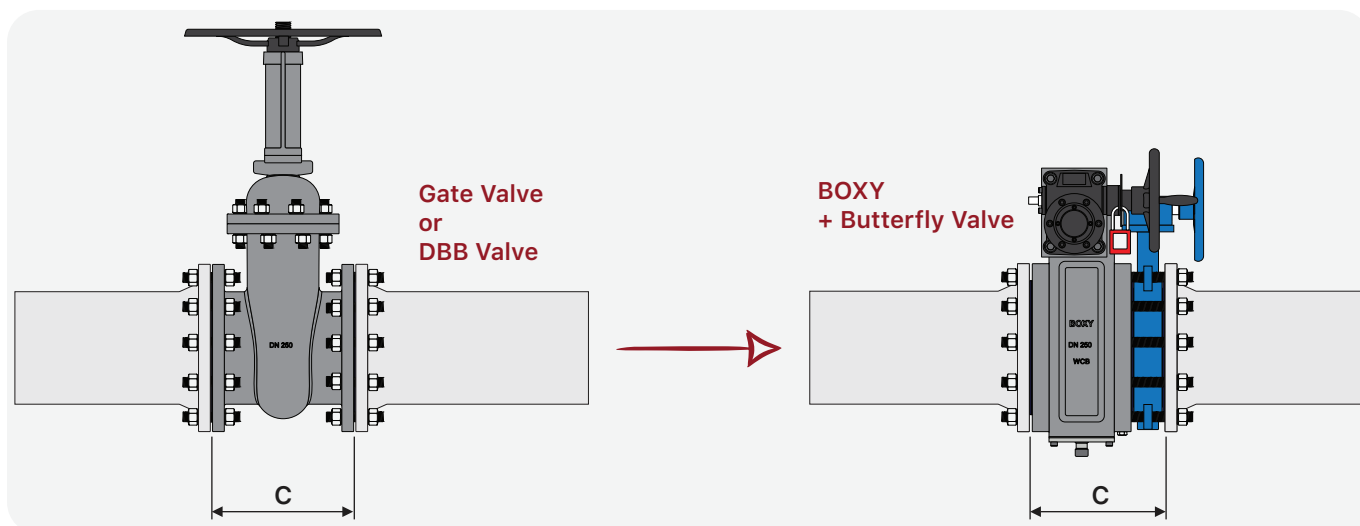
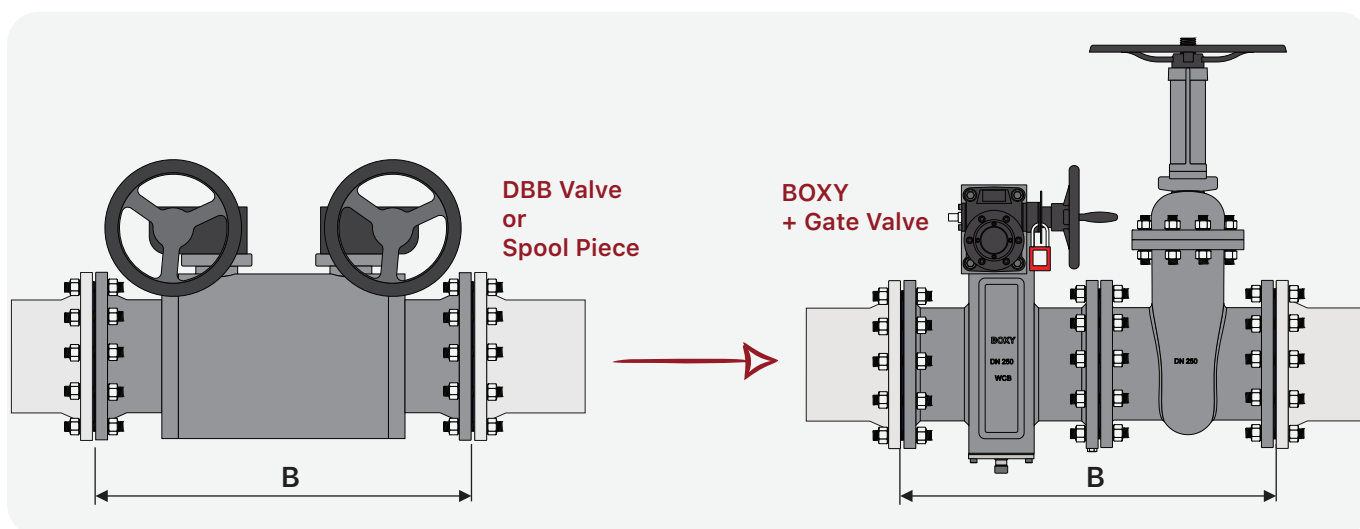
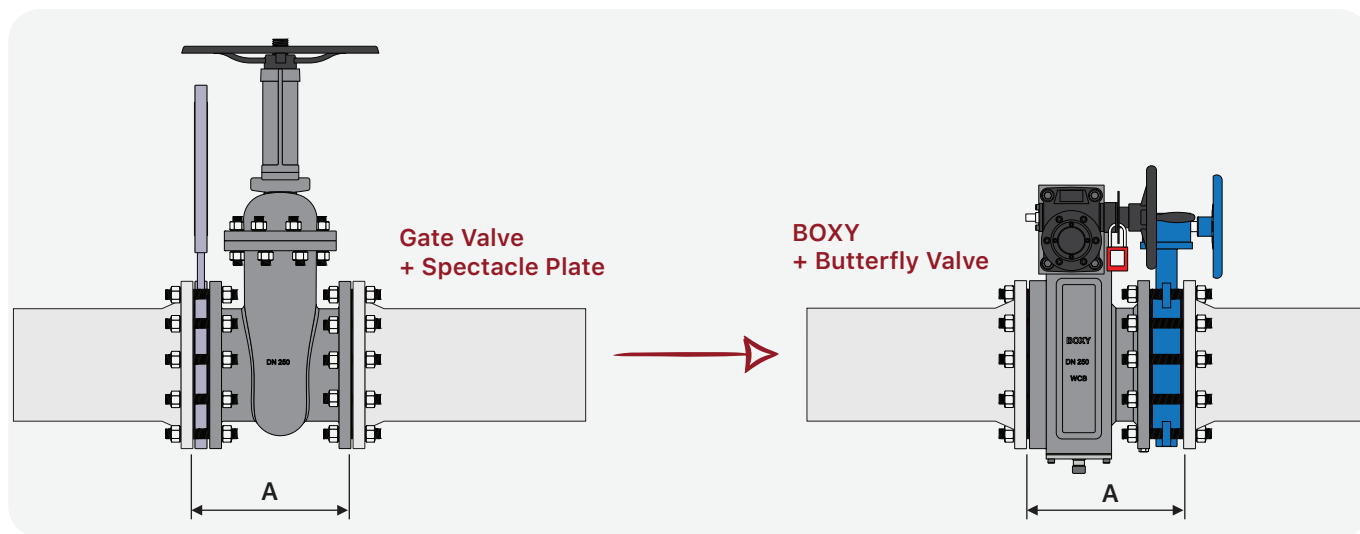
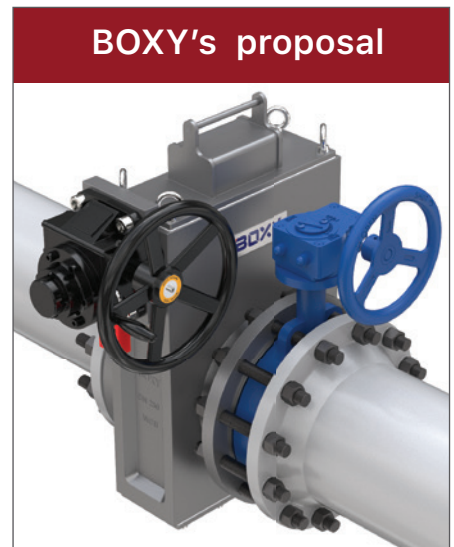
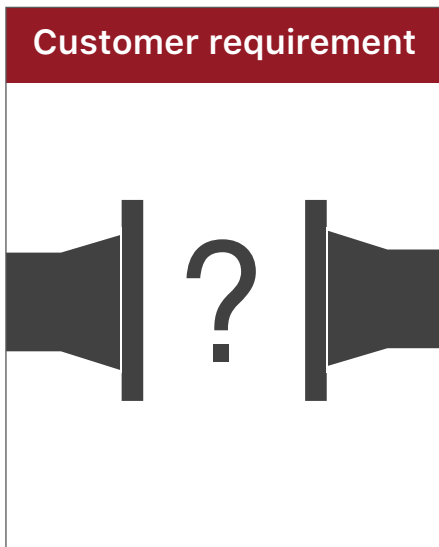


Replacing existing equipment without line modification

BOXY Blind Valve can be installed without any line modification at a same space where existing isolation equipment, such as Gate Valve with Spectacle Plate, Gate Valve with spool piece, or DBB Valve is installed. BOXY Blind Valve enhances facility safety level and reduces maintenance costs.



Product Selection Guide



Pipe Line Checking

- Size and pressure rating
- Face to face dimension
- End connection
- Max working temperature
- Max working pressure

Material Checking

- Body / trim material
- Fluid information
- Sealing gasket

Other Requirements

- Fire safety
- Automatic system
- Blind Storage
- Sensors
- NACE requirement

Check-marked information must be delivered to BOXY for selecting a proper blind valve.

PRODUCT CODE

Example Code : DBX 8 - AN 300 - WCB / SS304 / FKM
①Type ②Size ③Pressure rating ④Body Material ⑤Blind Material ⑥Sealing Gasket

① Type

DBX : Divided Blind Plate
 SBX : Single Blind Plate

② Size

NPS 8" (inches)
 DN200 (DIN)

③ Pressure rating

AN300 : ASME Class 300
 PN16 : DIN PN 16
 JS10K : JIS 10K

④ Body Material

WCB / CS : Carbon Steel
 SS304 : Stainless Steel 304
 C276 : Hastelloy C276

⑤ Blind Material

SS304 : Stainless Steel 304
 SS316L : Stainless Steel 316L
 C276 : Hastelloy C276

⑥ Sealing Gasket

NBR / HNBR : Nitrill Rubber, Buna-N
 FKM / FPM : Viton
 FEPV / PFAV / PFAS : Teflon Encapsulated O-ring
 VMQ / FVMQ : Silicone, Fluorosilicone
 EPDM : Ethylene Propylene Rubber
 FFKM / FFPM : Perfluoro Elastomer, Kalrez, Chemrez
 PTFE : Solid Teflon, Engineering PTFE
 GR : Graphite Mold Gasket
 SPW : Spiral Wound Gasket